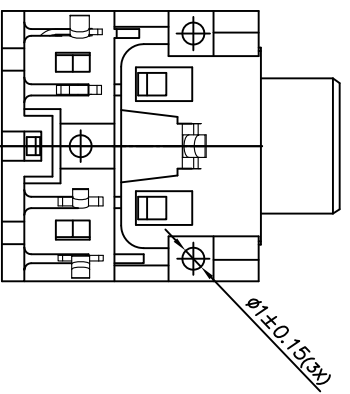
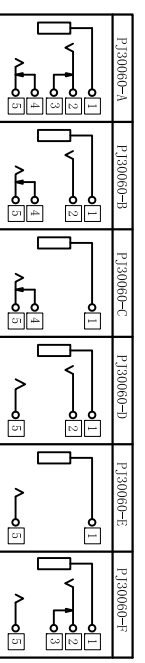
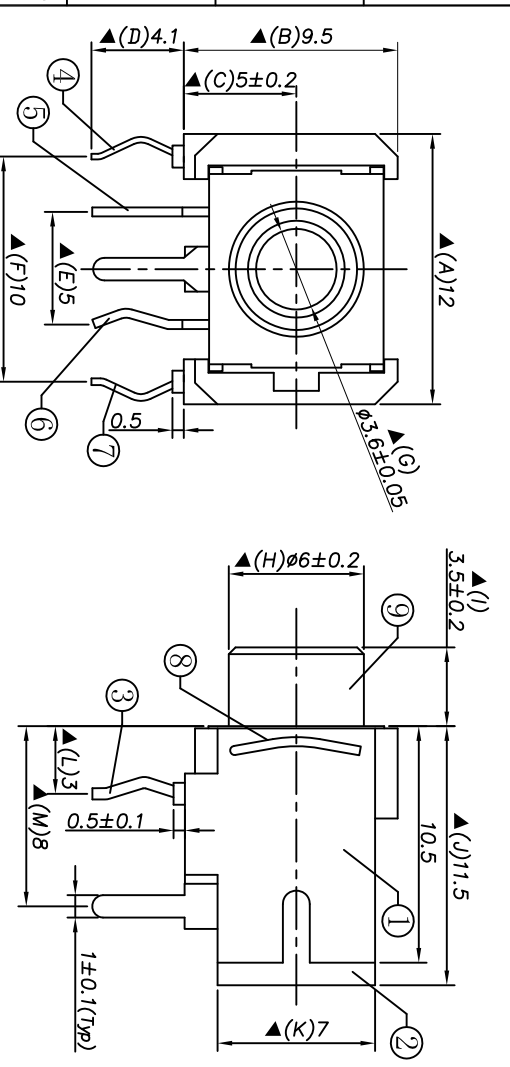
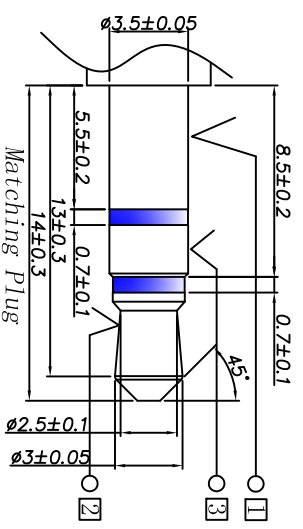
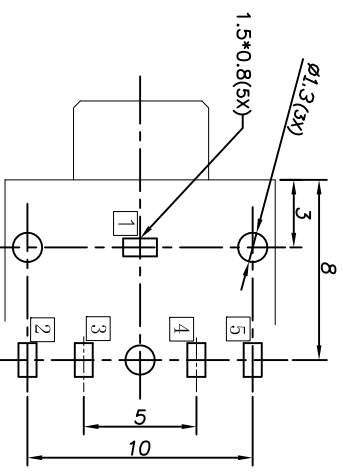


REV. LTR.	DESCRIPTION	SIGN	DATE
	Update drawing	PD X	2011.05.20

Ordering information:
 P130060 - □
 (1) :Series No.
 (2) :Schematic option: A B C D E F



RECOMMENDED P. C. B. LAYOUT
 UNSPECIFIED TOLERANCE: ±0.05
 (BOTTOM VIEW)



⑨ Bushing	1	Copper alloy	P130060-88(ZT-JK0014)	Nickel plating
⑧ Spring (卡簧)	1	Spring wire	P130060-65 (TP-JK0013)	Nickel plating
⑦ Tip spring	1	Phosphor bronze t0.3	P130060-05(JA-JK0026)	Tin plating
⑥ Shunt terminal	1	Brass t0.4	P130060-04(JA-JK0025)	Tin plating
⑤ Shunt terminal	1	Brass t0.4	P130060-03(JA-JK0024)	Tin plating
④ Ring spring	1	Phosphor bronze t0.25	P130060-02(JA-JK0023)	Tin plating
③ Earth terminal	1	Brass t0.5	P130060-01(JA-JK0022)	Tin plating
② cover	1	PBT	P130170-S2(GZ-JK0001)	Black
① Housing	1	PA66	P130060-S1(ST-JK0014)	Black

UNIT:MM	TYPE:	MODEL NO:	PAPER NO: A4	PAGE 1 OF 1
∅3.5 PHONE JACK		P130060-	TOLERANCE ANGLES	SCALE
			±0.3	±2
			FULL	8

DESIGNER BY: PD X 2011.05.20
 CHECK BY:
 APPROVED BY:
 丞永實業有限公司
 BLUE SOURCES ELECTRONICS CO.,LTD.

Specification:
 1. Rating : DC 30V 0.5A.
 2. Contact resistance: ≤30mΩ.
 After test: ≤50mΩ
 3. Insulation resistance: ≥100MΩ (500VDC).
 After test: ≥50MΩ
 4. Withstanding voltage: 500VAC.
 5. Insertion and extraction force: 3N~30N.
 6. Life test: 5000cycles min.
 7. Operation temperature range: -20°C~70°C.
 8. Preservation temperature range: -40°C~85°C.
 9. Sign "▲" is importance dimension.